

# GN 113.12 | Quick release pins

Stainless Steel AISI 630



- 1
- 2
- 3
- 4
- 5
- 6
- 7
- 8
- 9
- 10
- 11
- 12
- 13
- 14
- 15
- 16
- 17
- 18

## SPECIFICATION

Pin  
Stainless Steel AISI 630  
precipitation-hardened

L-Handle  
Polyamide based (PA) technopolymer, black  
temperature resistant up to 80 °C

Balls  
Stainless Steel AISI 420C

Spring  
Stainless steel

## FEATURES AND APPLICATIONS

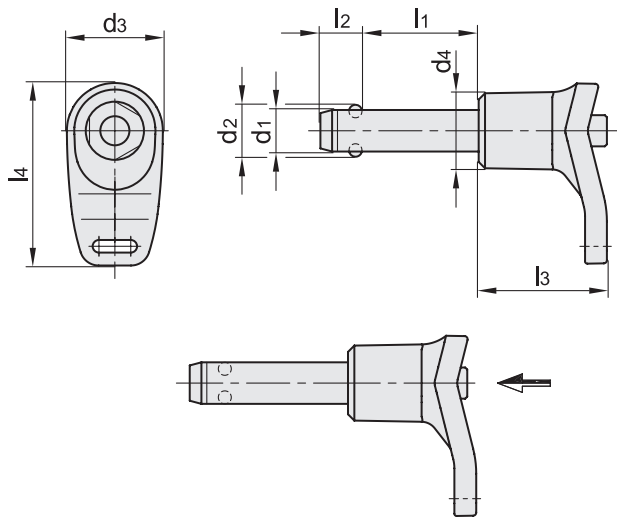
GN 113.12 ball lock pins are generally used for quick mounting between components or parts to be machined, in particular for elements which need to be removed and reset continuously.

By pressing the push button the two balls are freed, and locked again when it is released.

GN 113.12 ball lock pins have an extreme load capacity, the pin is made of hardened and highly abrasion-resistant stainless steel.

## ACCESSORIES

- Ball chain GN 111 (see page )
- Retaining cables GN 111.2 (see page )
- Spiral retaining cables GN 111.4 (see page )



Conversion Table	
1 mm = 0.039 inch	
d1	
mm	inch
5	0.20
6	0.24
8	0.31
10	0.39
12	0.47
16	0.62
20	0.78
25	0.98

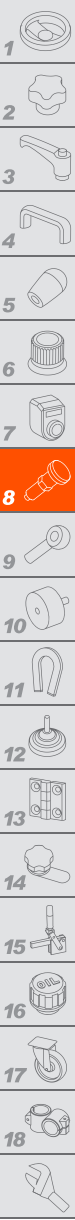


Code	Description	d1 -0.04 -0.08	d2	d3	d4	l1 +0.6	l2 ±1	l3	l4	Mounting hole H11	Double sided shearing force [KN]	⚖️
GN.77201	GN 113.12-5-10	5	5.5	17.5	13.5	10	6	26.5	33	5	14	14
GN.77202	GN 113.12-5-15	5	5.5	17.5	13.5	15	6	26.5	33	5	14	15
GN.77203	GN 113.12-5-20	5	5.5	17.5	13.5	20	6	26.5	33	5	14	17
GN.77204	GN 113.12-5-25	5	5.5	17.5	13.5	25	6	26.5	33	5	14	18
GN.77205	GN 113.12-5-30	5	5.5	17.5	13.5	30	6	26.5	33	5	14	20
GN.77206	GN 113.12-5-35	5	5.5	17.5	13.5	35	6	26.5	33	5	14	21
GN.77207	GN 113.12-5-40	5	5.5	17.5	13.5	40	6	26.5	33	5	14	23
GN.77208	GN 113.12-5-45	5	5.5	17.5	13.5	45	6	26.5	33	5	14	24
GN.77209	GN 113.12-5-50	5	5.5	17.5	13.5	50	6	26.5	33	5	14	25
GN.77210	GN 113.12-5-60	5	5.5	17.5	13.5	60	6	26.5	33	5	14	26
GN.77211	GN 113.12-5-70	5	5.5	17.5	13.5	70	6	26.5	33	5	14	27
GN.77212	GN 113.12-5-80	5	5.5	17.5	13.5	80	6	26.5	33	5	14	28

Indexing and positioning elements

INOX STAINLESS STEEL METRIC

Code	Description	d1 -0.04-0.08	d2	d3	d4	l1+0.6	l2±1	l3	l4	Mounting hole H11	Double sided shearing force [KN]	⚖️
GN.77221	GN 113.12-6-10	6	7	17.5	13.5	10	7	26.5	33	6	21	17
GN.77222	GN 113.12-6-15	6	7	17.5	13.5	15	7	26.5	33	6	21	18
GN.77223	GN 113.12-6-20	6	7	17.5	13.5	20	7	26.5	33	6	21	19
GN.77224	GN 113.12-6-25	6	7	17.5	13.5	25	7	26.5	33	6	21	20
GN.77225	GN 113.12-6-30	6	7	17.5	13.5	30	7	26.5	33	6	21	21
GN.77226	GN 113.12-6-35	6	7	17.5	13.5	35	7	26.5	33	6	21	22
GN.77227	GN 113.12-6-40	6	7	17.5	13.5	40	7	26.5	33	6	21	23
GN.77228	GN 113.12-6-45	6	7	17.5	13.5	45	7	26.5	33	6	21	24
GN.77229	GN 113.12-6-50	6	7	17.5	13.5	50	7	26.5	33	6	21	25
GN.77230	GN 113.12-6-60	6	7	17.5	13.5	60	7	26.5	33	6	21	26
GN.77231	GN 113.12-6-70	6	7	17.5	13.5	70	7	26.5	33	6	21	29
GN.77232	GN 113.12-6-80	6	7	17.5	13.5	80	7	26.5	33	6	21	32
GN.77241	GN 113.12-8-10	8	9.5	23	18	10	8.2	34	43.5	8	38	38
GN.77242	GN 113.12-8-15	8	9.5	23	18	15	8.2	34	43.5	8	38	40
GN.77243	GN 113.12-8-20	8	9.5	23	18	20	8.2	34	43.5	8	38	41
GN.77244	GN 113.12-8-25	8	9.5	23	18	25	8.2	34	43.5	8	38	43
GN.77245	GN 113.12-8-30	8	9.5	23	18	30	8.2	34	43.5	8	38	45
GN.77246	GN 113.12-8-35	8	9.5	23	18	35	8.2	34	43.5	8	38	47
GN.77247	GN 113.12-8-40	8	9.5	23	18	40	8.2	34	43.5	8	38	49
GN.77248	GN 113.12-8-45	8	9.5	23	18	45	8.2	34	43.5	8	38	51
GN.77249	GN 113.12-8-50	8	9.5	23	18	50	8.2	34	43.5	8	38	53
GN.77250	GN 113.12-8-60	8	9.5	23	18	60	8.2	34	43.5	8	38	54
GN.77251	GN 113.12-8-70	8	9.5	23	18	70	8.2	34	43.5	8	38	61
GN.77252	GN 113.12-8-80	8	9.5	23	18	80	8.2	34	43.5	8	38	65
GN.77253	GN 113.12-8-90	8	9.5	23	18	90	8.2	34	43.5	8	38	67
GN.77254	GN 113.12-8-100	8	9.5	23	18	100	8.2	34	43.5	8	38	72
GN.77261	GN 113.12-10-15	10	12	23	18	15	9.6	34	43.5	10	60	40
GN.77262	GN 113.12-10-20	10	12	23	18	20	9.6	34	43.5	10	60	48
GN.77263	GN 113.12-10-25	10	12	23	18	25	9.6	34	43.5	10	60	51
GN.77264	GN 113.12-10-30	10	12	23	18	30	9.6	34	43.5	10	60	54
GN.77265	GN 113.12-10-35	10	12	23	18	35	9.6	34	43.5	10	60	57
GN.77266	GN 113.12-10-40	10	12	23	18	40	9.6	34	43.5	10	60	60
GN.77267	GN 113.12-10-45	10	12	23	18	45	9.6	34	43.5	10	60	63
GN.77268	GN 113.12-10-50	10	12	23	18	50	9.6	34	43.5	10	60	64
GN.77269	GN 113.12-10-60	10	12	23	18	60	9.6	34	43.5	10	60	72
GN.77270	GN 113.12-10-70	10	12	23	18	70	9.6	34	43.5	10	60	78
GN.77271	GN 113.12-10-80	10	12	23	18	80	9.6	34	43.5	10	60	81
GN.77272	GN 113.12-10-90	10	12	23	18	90	9.6	34	43.5	10	60	90
GN.77273	GN 113.12-10-100	10	12	23	18	100	9.6	34	43.5	10	60	93
GN.77274	GN 113.12-10-110	10	12	23	18	110	9.6	34	43.5	10	60	103
GN.77275	GN 113.12-10-120	10	12	23	18	120	9.6	34	43.5	10	60	105
GN.77281	GN 113.12-12-20	12	14.5	30.5	24	20	10.6	40.5	58	12	87	93
GN.77282	GN 113.12-12-25	12	14.5	30.5	24	25	10.6	40.5	58	12	87	98
GN.77283	GN 113.12-12-30	12	14.5	30.5	24	30	10.6	40.5	58	12	87	104
GN.77284	GN 113.12-12-35	12	14.5	30.5	24	35	10.6	40.5	58	12	87	107
GN.77285	GN 113.12-12-40	12	14.5	30.5	24	40	10.6	40.5	58	12	87	111
GN.77286	GN 113.12-12-45	12	14.5	30.5	24	45	10.6	40.5	58	12	87	115
GN.77287	GN 113.12-12-50	12	14.5	30.5	24	50	10.6	40.5	58	12	87	119
GN.77288	GN 113.12-12-60	12	14.5	30.5	24	60	10.6	40.5	58	12	87	128
GN.77289	GN 113.12-12-70	12	14.5	30.5	24	70	10.6	40.5	58	12	87	136
GN.77290	GN 113.12-12-80	12	14.5	30.5	24	80	10.6	40.5	58	12	87	145
GN.77291	GN 113.12-12-90	12	14.5	30.5	24	90	10.6	40.5	58	12	87	153
GN.77292	GN 113.12-12-100	12	14.5	30.5	24	100	10.6	40.5	58	12	87	161
GN.77293	GN 113.12-12-110	12	14.5	30.5	24	110	10.6	40.5	58	12	87	170
GN.77294	GN 113.12-12-120	12	14.5	30.5	24	120	10.6	40.5	58	12	87	179



Indexing and positioning elements



**INOX** STAINLESS STEEL **METRIC**

Code	Description	d1-0.04-0.08	d2	d3	d4	l1+0.6	l2±1	l3	l4	Mounting hole H11	Double sided shearing force [KN]	⚖️
GN.77301	GN 113.12-16-30	16	19	30.5	24	30	14	40.5	58	16	155	134
GN.77302	GN 113.12-16-35	16	19	30.5	24	35	14	40.5	58	16	155	142
GN.77303	GN 113.12-16-40	16	19	30.5	24	40	14	40.5	58	16	155	150
GN.77304	GN 113.12-16-45	16	19	30.5	24	45	14	40.5	58	16	155	157
GN.77305	GN 113.12-16-50	16	19	30.5	24	50	14	40.5	58	16	155	170
GN.77306	GN 113.12-16-60	16	19	30.5	24	60	14	40.5	58	16	155	180
GN.77307	GN 113.12-16-70	16	19	30.5	24	70	14	40.5	58	16	155	196
GN.77308	GN 113.12-16-80	16	19	30.5	24	80	14	40.5	58	16	155	210
GN.77309	GN 113.12-16-90	16	19	30.5	24	90	14	40.5	58	16	155	230
GN.77310	GN 113.12-16-100	16	19	30.5	24	100	14	40.5	58	16	155	246
GN.77311	GN 113.12-16-110	16	19	30.5	24	110	14	40.5	58	16	155	262
GN.77312	GN 113.12-16-120	16	19	30.5	24	120	14	40.5	58	16	155	277
GN.77313	GN 113.12-16-130	16	19	30.5	24	130	14	40.5	58	16	155	293
GN.77314	GN 113.12-16-140	16	19	30.5	24	140	14	40.5	58	16	155	309
GN.77315	GN 113.12-16-150	16	19	30.5	24	150	14	40.5	58	16	155	324
GN.77321	GN 113.12-20-50	20	25	40.5	33	50	20.5	51.5	72.5	20	244	330
GN.77322	GN 113.12-20-60	20	25	40.5	33	60	20.5	51.5	72.5	20	244	351
GN.77323	GN 113.12-20-70	20	25	40.5	33	70	20.5	51.5	72.5	20	244	378
GN.77324	GN 113.12-20-80	20	25	40.5	33	80	20.5	51.5	72.5	20	244	395
GN.77325	GN 113.12-20-90	20	25	40.5	33	90	20.5	51.5	72.5	20	244	427
GN.77326	GN 113.12-20-100	20	25	40.5	33	100	20.5	51.5	72.5	20	244	445
GN.77327	GN 113.12-20-110	20	25	40.5	33	110	20.5	51.5	72.5	20	244	475
GN.77328	GN 113.12-20-120	20	25	40.5	33	120	20.5	51.5	72.5	20	244	494
GN.77329	GN 113.12-20-130	20	25	40.5	33	130	20.5	51.5	72.5	20	244	520
GN.77330	GN 113.12-20-140	20	25	40.5	33	140	20.5	51.5	72.5	20	244	547
GN.77331	GN 113.12-20-150	20	25	40.5	33	150	20.5	51.5	72.5	20	244	572
GN.77341	GN 113.12-25-50	25	30.8	40.5	33	50	22	51.5	72.5	25	386	428
GN.77342	GN 113.12-25-60	25	30.8	40.5	33	60	22	51.5	72.5	25	386	466
GN.77343	GN 113.12-25-70	25	30.8	40.5	33	70	22	51.5	72.5	25	386	504
GN.77344	GN 113.12-25-80	25	30.8	40.5	33	80	22	51.5	72.5	25	386	540
GN.77345	GN 113.12-25-90	25	30.8	40.5	33	90	22	51.5	72.5	25	386	581
GN.77346	GN 113.12-25-100	25	30.8	40.5	33	100	22	51.5	72.5	25	386	618
GN.77347	GN 113.12-25-110	25	30.8	40.5	33	110	22	51.5	72.5	25	386	657
GN.77348	GN 113.12-25-120	25	30.8	40.5	33	120	22	51.5	72.5	25	386	695
GN.77349	GN 113.12-25-130	25	30.8	40.5	33	130	22	51.5	72.5	25	386	733
GN.77350	GN 113.12-25-140	25	30.8	40.5	33	140	22	51.5	72.5	25	386	770
GN.77351	GN 113.12-25-150	25	30.8	40.5	33	150	22	51.5	72.5	25	386	810

Indexing and positioning elements